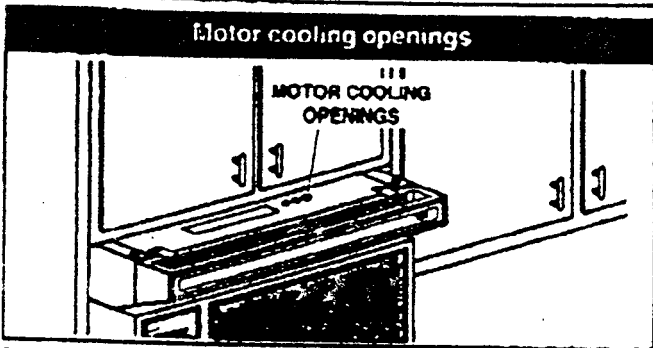
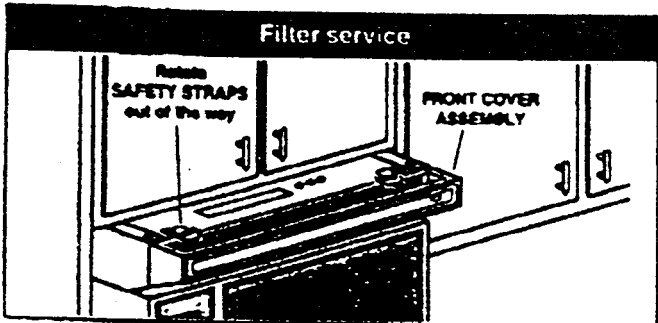


USE AND CARE



Do not block the motor cooling openings. They allow air to be drawn across the motor during operation.



To remove filter: Loosen and rotate front cover safety straps, then lift off front cover assembly.

Aluminum filter can be cleaned with a detergent solution or in the dishwasher.

Ductfree filter is not washable. It should be replaced every 12 months or when BLUE SIDE becomes dirty or discolored. Remove plastic bag from new ductfree filter and install with BLUE SIDE next to blower.

Blower cleaning

WARNING: ALWAYS SHUT OFF POWER TO THE HCCD BEFORE CLEANING OR SERVICING.

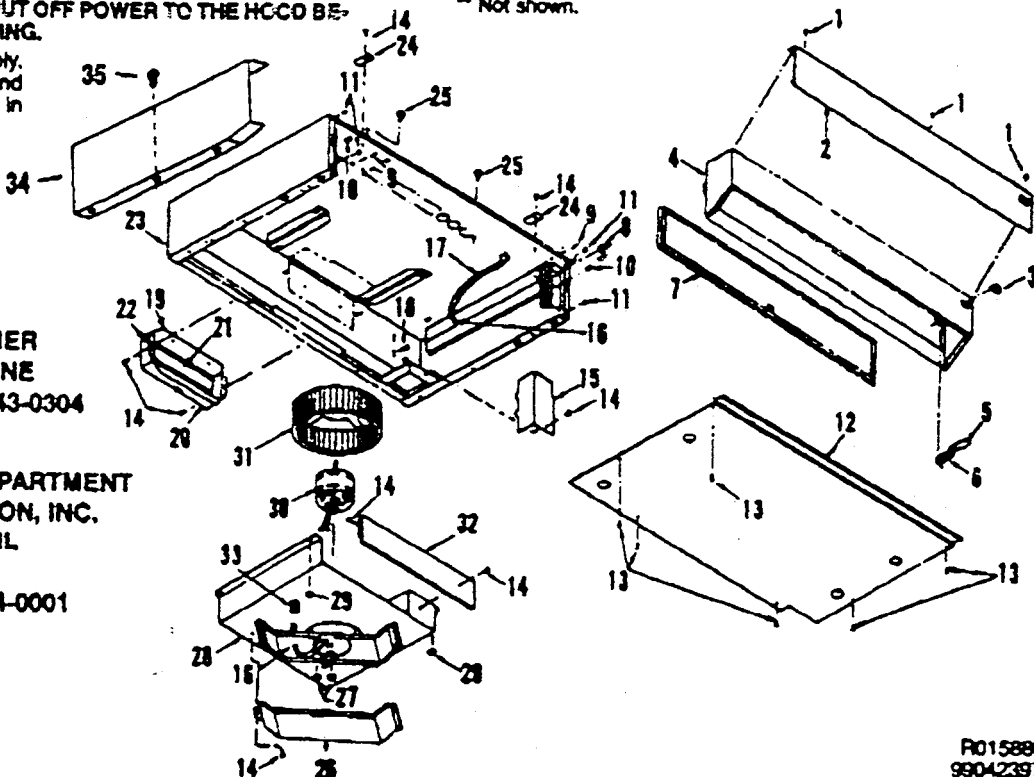
Unplug remove blower assembly. Gently vacuum blower motor and wheel. Do not immerse motor in water.

SERVICE PARTS

MODEL CVC3000E

KEY NO.	PART NUMBER	DESCRIPTION
1	—	#6-18 x 1/4 Sheet Metal Screws (3 req.)*
2	R0199693	Decorator Trim Plate
3	R0199894	Push Button
4	R0199695	Front Cover (Black)
5	R0199696	Switch Actuator
6	R0199697	Actuator Spring
7	R0199698	Aluminum Filter
8	R0199700	On/Off Switch w/Leads
9	—	1/8 Pop Rivet (2 req.)*
10	R0199701	Filter Retaining Clip (2 req.)*
11	R0199702	Plastic Plug (4 req.)
12	R0199703	Bottom Panel
13	—	#10-32 x 5/16 Sheet Metal Screw (8 req.)*
14	—	#8B x 3/8 Hex Head Sheet Metal Screw (8 req.)*
15	R0199704	Wiring Box Cover
16	R0199721	Strain Relief Bushing (2 req.)
17	R0199705	Wire Harness
18	—	#10-32 x 1/2 Green Ground Screw*
19	R0199706	Damper Assembly (Includes Key Nos. 20, 21 & 22)
20	R0199707	Damper Frame
21	R0199708	Damper Flap
22	R0199709	Flap Pivot Plug (2 req.)
23	R0199710	Housing Assembly (Black)
24	R0199713	Front Cover Safety Strap (2 req.)
25	—	1/4 - 20 x 1/2 Truss Head Machine Screw (2 req.)*
26	R0199714	Blower Air Duct Cover
27	—	#8-32 Keps Nuts (2 req.)*
28	R0199715	Blower Housing
29	—	1/4-20 Whiz Hex Nut (2 req.)*
30	R0199716	Motor
31	R0199717	Blower Wheel
32	R0199718	Duct Free Blower Discharge Cover
33	R0199719	Motor Plug
34	R0199724	Left Mounting Panel
35	R0199725	Right Mounting Panel
—	—	Mounting Screw, #6 x 3/8 Pan Hd. (12 req.)*
—	R0199720	Parts Bag (Includes Key Nos. 14, 24 & 35)
—	Model KDF1	Ductfree Filter (purchase separately)

* Not shown.



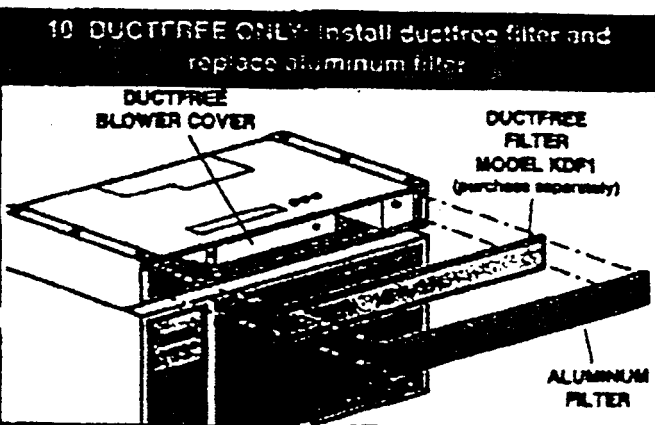
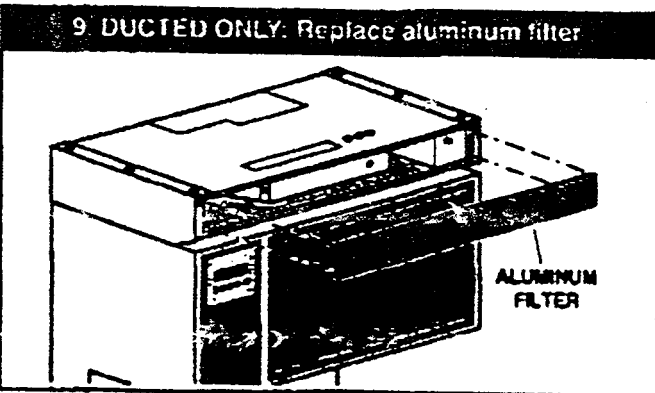
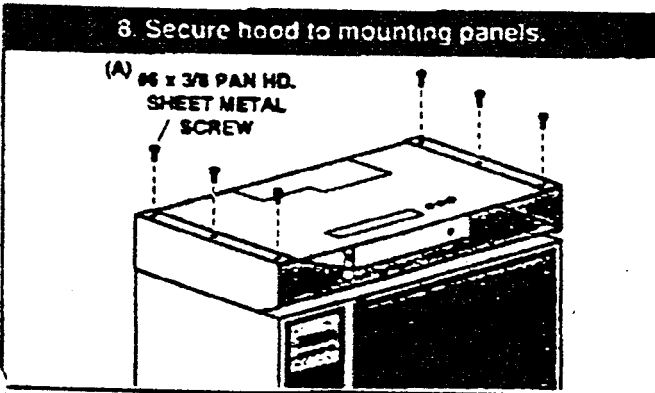
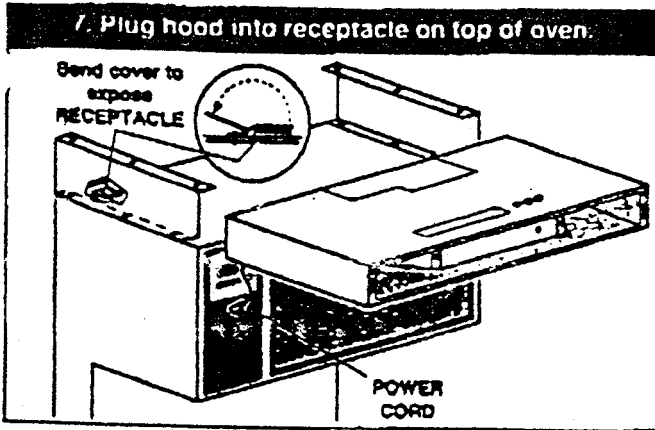
AMANA CONSUMER INFORMATION LINE
(TOLL FREE) 1-800-843-0304

OR WRITE:

CONSUMER AFFAIRS DEPARTMENT
AMANA REFRIGERATION, INC.
2800 220th TRAIL
P.O. BOX 8901
AMANA, IOWA 52204-0001

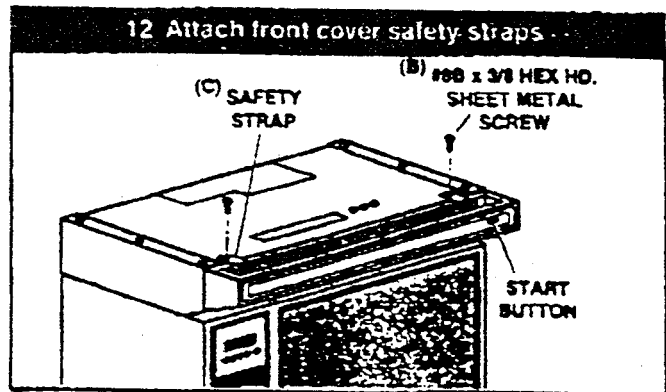
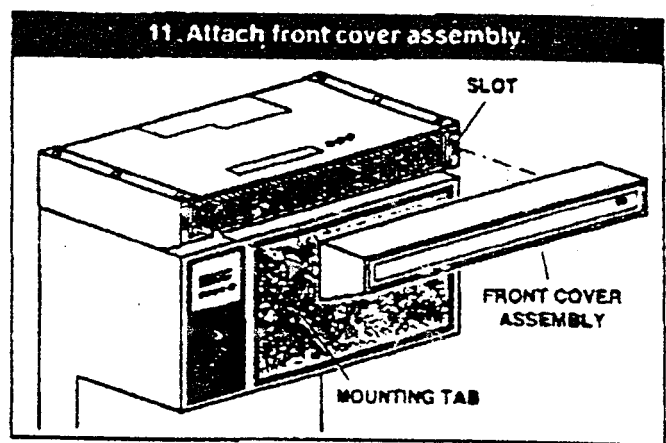
R0158867
99042397A

INSTALL THE HOOD (CONTINUED)



Make sure BLUE SIDE of ductfree filter is next to blower.

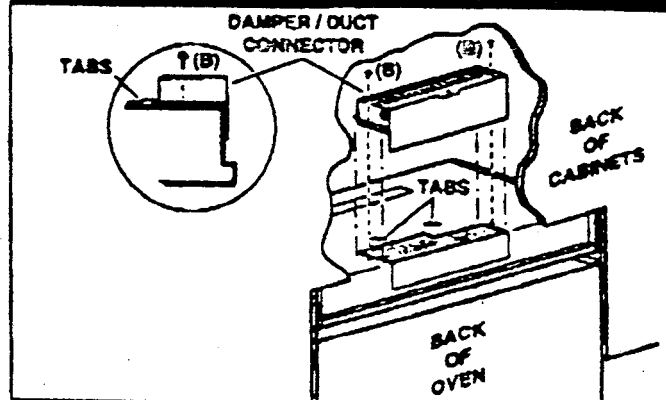
INSTALL THE HOOD (CONTINUED)



13. HORIZONTALLY DUCTED ONLY: Move oven into position and connect ductwork

Connect 3 1/4" x 10" steel duct between hood and wall cap. Tape joints to make them secure and air tight. See "TYPICAL INSTALLATIONS" on front page.

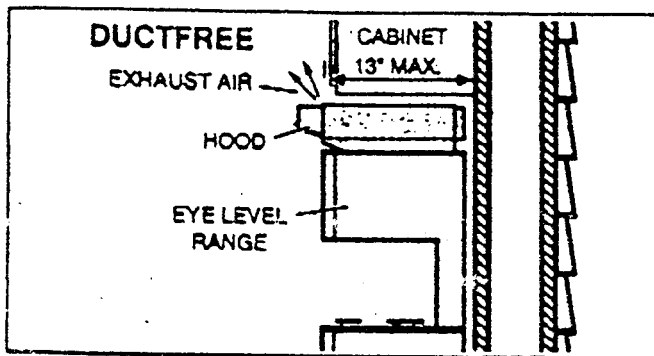
DUCTED ONLY: Re-5. 13. VERTICALLY DUCTED ONLY: Re-attach damper/duct connector to top of hood



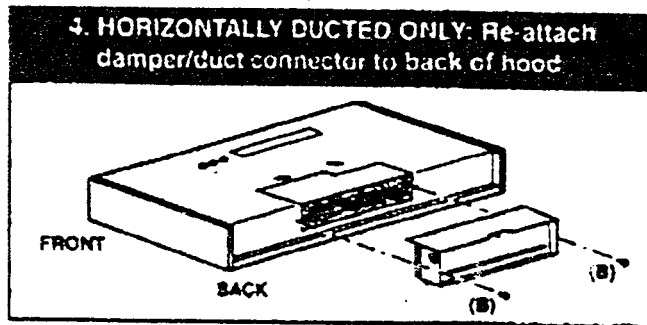
From inside the cabinet:

1. Cut a clearance hole in cabinet bottom.
2. Slide front flange of damper/duct connector beneath tabs on hood.
3. Connect 3 1/4" x 10" steel duct between hood and wall cap. Tape joints to make them secure and air tight.

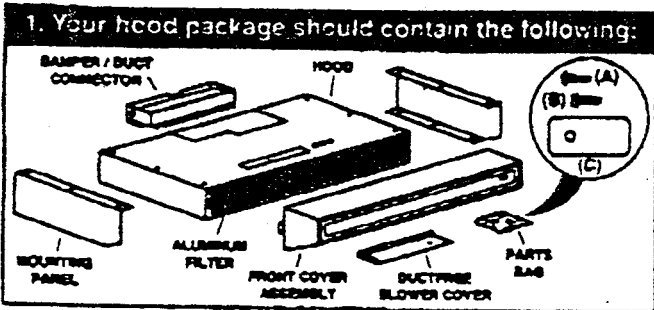
TYPICAL INSTALLATIONS (CONTINUED)



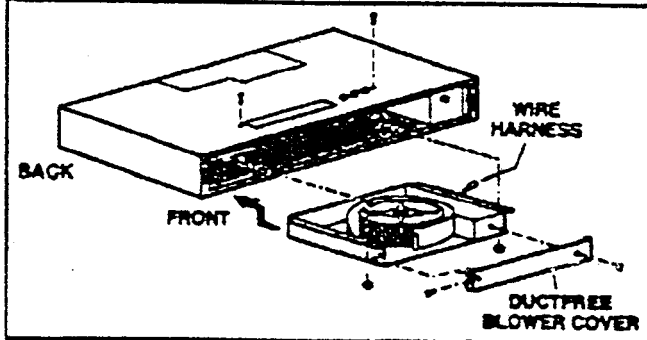
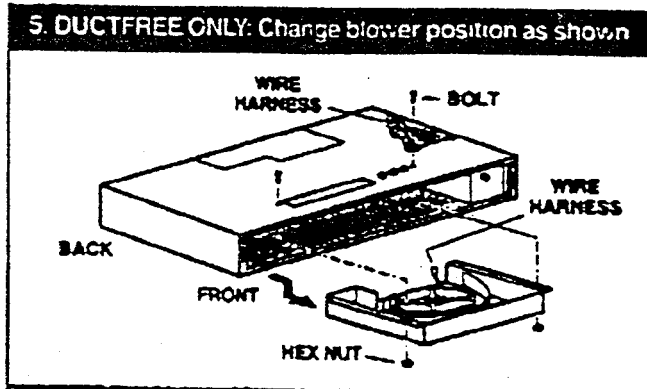
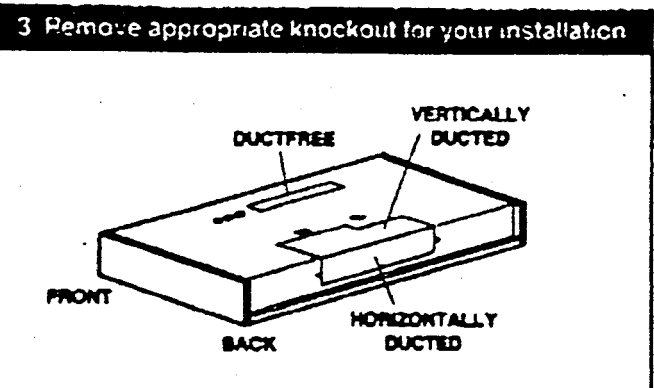
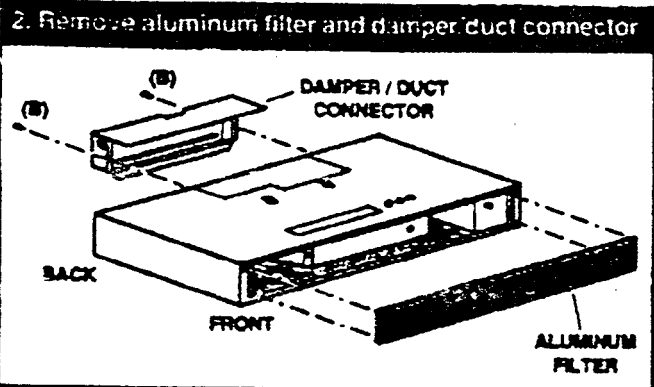
PREPARE THE HOOD (CONTINUED)



PREPARE THE HOOD

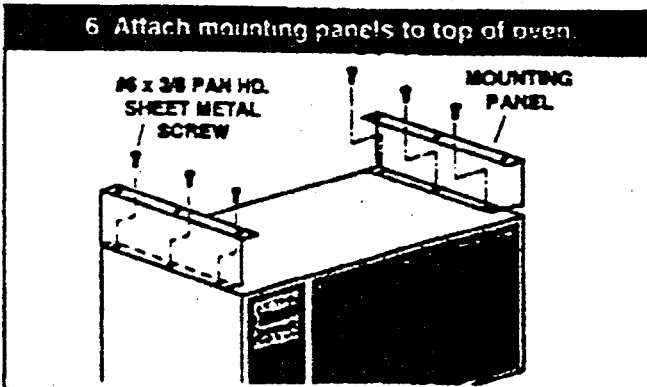


- 1 - Front Cover Assembly
- 1 - Ductfree Blower Cover (taped to hood)
- 1 - Damper/Duct Connector (fastened to back of hood)
- 1 - Aluminum Filter
- 2 - Mounting Panels
- 1 - Plastic Bag containing:
 - (A) 6 - #8 x 3/8 Pan Hd. SMS
 - (B) 2 - #88 x 3/8 SMS
 - (C) 2 - Front Cover Safety Straps



INSTALL THE HOOD

WARNING:
Make sure range is unplugged before installing hood.



Caloric®

Model CVC3000E Convertible Eye-Level Hood



READ AND SAVE THESE INSTRUCTIONS

⚠ WARNING

TO REDUCE THE RISK OF FIRE, ELECTRICAL SHOCK, OR INJURY TO PERSONS, OBSERVE THE FOLLOWING:

1. Use this unit only in the manner intended by the manufacturer. If you have questions, contact the manufacturer at the address or telephone number listed in the warranty.
2. Before servicing or cleaning unit, switch power off at service panel and lock service panel to prevent power from being switched on accidentally.
3. Installation work and electrical wiring must be done by a qualified person(s) in accordance with all applicable codes and standards, including fire-rated construction codes and standards.
4. Sufficient air is needed for proper combustion and exhausting of gases through the flue (chimney) of fuel burning equipment to prevent backdrafting. Follow the heating equipment manufacturer's guideline and safety standards such as those published by the National Fire Protection Association (NFPA), and the American Society for Heating, Refrigeration and Air Conditioning Engineers (ASHRAE), and the local code authorities.
5. When cutting or drilling into wall or ceiling, do not damage electrical wiring and other hidden utilities.
6. Ducted fans must always be vented to the outdoors.
7. Do not use this unit with any solid-state speed control device.
8. To reduce the risk of fire, use only metal ductwork.
9. This unit must be grounded.

TO REDUCE THE RISK OF A RANGE TOP GREASE FIRE:

1. Keep fan, filters and grease laden surfaces clean.
2. Always turn hood ON when cooking at high heat.
3. Use high range settings on range only when necessary. Heat oil slowly on low to medium setting.
4. Don't leave range unattended when cooking.
5. Always use cookware and utensils appropriate for the type and amount of food being prepared.

TO REDUCE THE RISK OF INJURY TO PERSONS IN THE EVENT OF A RANGE TOP GREASE FIRE, OBSERVE THE FOLLOWING:

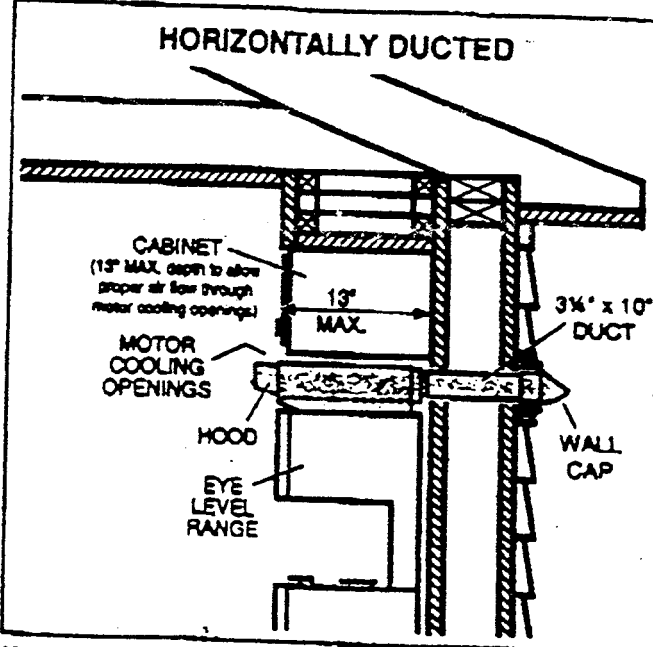
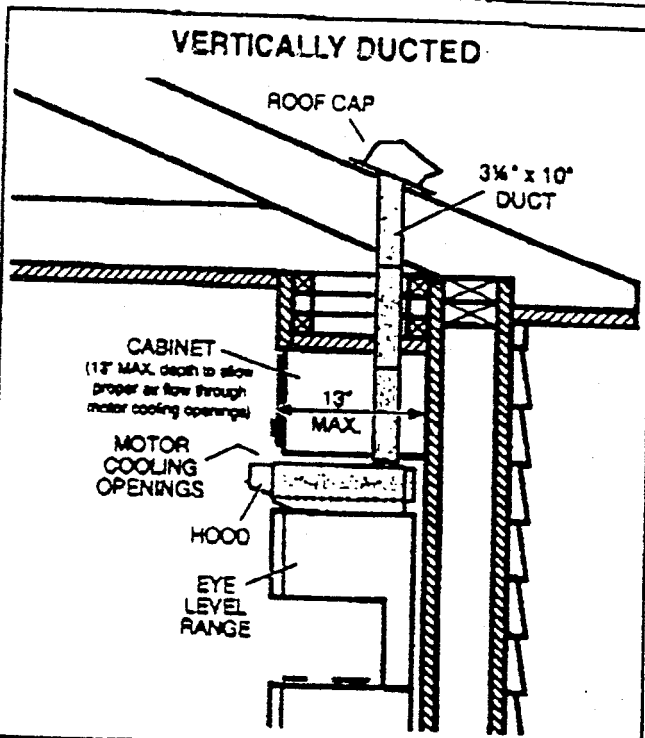
1. SMOTHER FLAMES with a close-fitting lid, cookie sheet, or metal tray, then turn off the burner. BE CAREFUL TO PREVENT BURNS. If the flames do not go out immediately, EVACUATE AND CALL THE FIRE DEPARTMENT.
2. NEVER PICK UP A FLAMING PAN - You may be burned.
3. DO NOT USE WATER, including wet dishcloths or towels - violent steam explosion will result.
4. Use an extinguisher ONLY if:
 - A. You know you have a Class ABC extinguisher and you already know how to operate it.
 - B. The fire is small and contained in the area where it started.
 - C. The fire department is being called.
 - D. You can fight the fire with your back to an exit.

* Based on "Kitchen Fire Safety Tips" published by NFPA.

⚠ CAUTION

1. For general ventilating use only. Do not use to exhaust hazardous or explosive materials and vapors.
2. To avoid motor bearing damage and noisy and/or unbalanced impellers, keep drywall spray, construction dust, etc. off power unit.
3. Your hood motor has a thermal overload which will automatically shut off the motor if it becomes overheated. The motor will restart when it cools down. If the motor continues to shut off and restart, have the hood serviced.
4. Please read specification label on product for further information and requirements.

TYPICAL INSTALLATIONS



INSTALLER: Leave This Manual With The Homeowner.

HOMEOWNER: Use and Care Information on back page.